

CARANDINI



C LINE

Urban design for exceptional
visual comfort





Urban design for exceptional visual comfort

The C-Line luminaire by Carandini is designed to provide quality lighting to a wide variety of street lighting applications in environments where aesthetic appearance must be taken care of.

Optics / Light source

- Lumen packages from 904 lm to 9.043 lm.
- **High Performance** versions, for better visual comfort and performance of the luminaire.
- Color temperature available: Amber, 2200K, 2700K, 3000K and 4000K (70 CRI).

Approvals

- CE
- NOM031 (Mexico)
- Retilab (Colombia)
- IP66 (EN 60598-1 and EN 60598-23)
- IK10 (EN 62262)
- Ta -40°C up to +50°C



Technical specifications

C-Line is a conical design lighting concept that adapts perfectly to urban environments such as parks, promenades, pedestrian streets, squares or residential areas.

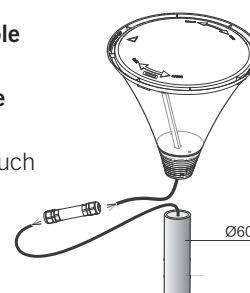
INSTALLATION / MAINTENANCE

The C-Line luminaire facilitates maintenance operations for installers.

The access to the equipment is done through the top of the luminaire, removing the cover without the need for tools, which allows to manipulate and visualize the elements with total comfort.



The C-Line incorporates cable and connector prepared for the installation in situ of the luminaire, in this way the installation tasks are done much more quickly and easily.



THERMAL MANAGEMENT

It incorporates a laminar dissipator designed by Carandini to maximize heat management thus ensuring a longer life of the luminaire.

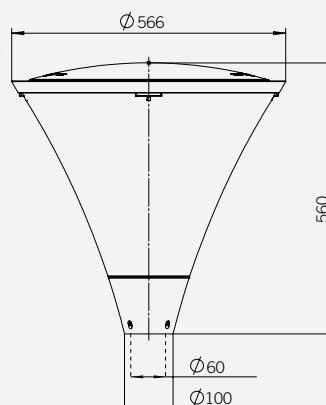


TRANSIENT OVERVOLTAGE PROTECTOR

C-Line includes the E-protec system, an element that offers maximum safety standards to protect the electronic parts of the luminaire against overvoltages of up to 10KV/KA, guaranteeing a longer projected life



DIMENSIONS (mm)



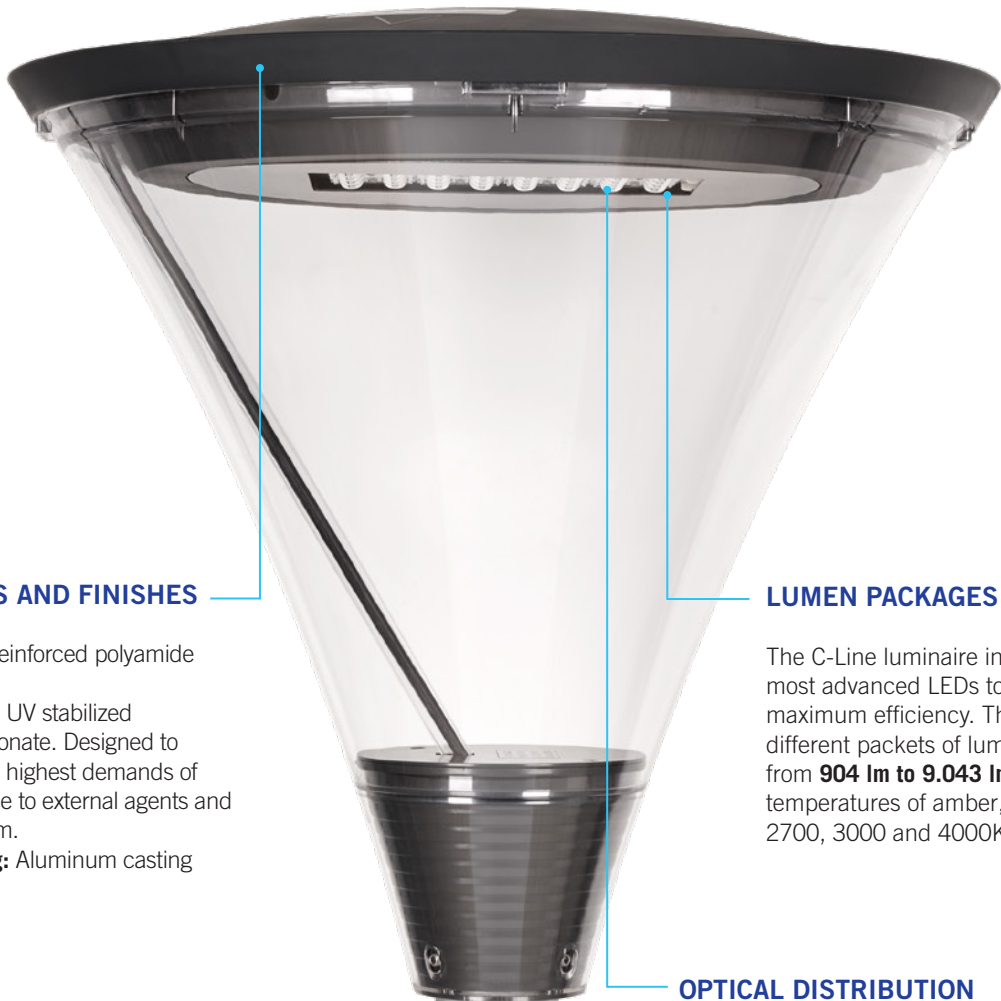
FIXATION

Vertical fixation with 60mm diameter column coupling.

Up to
143 lm/W

Actual value of luminaire
and stabilized

ts minimalist style, its simple assembly design and its optical distributions make the C-Line luminaire provide a complete urban lighting solution.



MATERIALS AND FINISHES

- **Cover:** Reinforced polyamide inside.
- **Diffuser:** UV stabilized polycarbonate. Designed to meet the highest demands of resistance to external agents and vandalism.
- **Coupling:** Aluminum casting LM6.

LUMEN PACKAGES

The C-Line luminaire includes the most advanced LEDs to ensure maximum efficiency. They provide different packets of lumens, ranging from **904 lm to 9.043 lm** with color temperatures of amber, 2200, 2700, 3000 and 4000K (70 CRI).

OPTICAL DISTRIBUTION

It has **4 optical distributions** that allow the luminaire to be adapted to different types of lighting projects.

LED **Eprotec**



IP66



IK10



CI



CII

Weight: 7,9 Kg

Lifetime: L90B10 100.000h Ta 25°C

Operating temperature: -40° hasta +50°



Regulation of the luminaire for energy saving

The regulation options recommended by Carandini give the right amount of light in every moment without supposing any additional cost compared to the investment of the luminaire.

By programming the driver

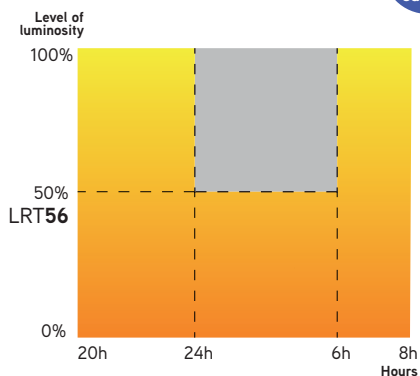
Programming profile

The driver can be programmed so that, during the less busy hours of the night, the luminaire reduces the luminous flux but always complying with the required lighting levels and uniformity.

LRT56

From 24h to 6h the luminaire reduces its initial intensity by 50%.

Up to
26%
energy saving



CLO function

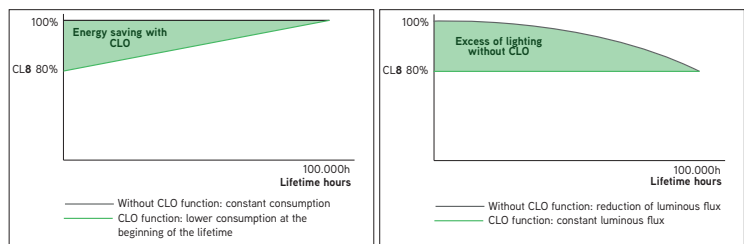
Taking into account the light depreciation over the years, the driver is programmed to start at a reduced level and gradually increase the power throughout the life of the luminaire, which saves energy and increases the life of the system. In addition, the level of illumination of the area in which it is located is always constant.

CL8

Luminous flux of the luminaire to 80% to maintain the light levels throughout its useful life.

Up to
10%
energy saving

and the life of the luminaire is increased



By incorporating an additional element

Photocell



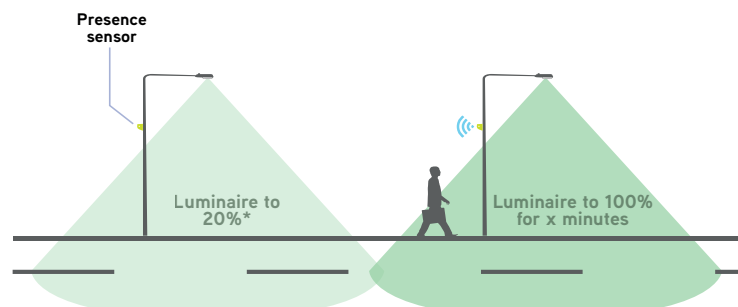
The photocell allows the luminaire to be switched on or off according to the intensity of sunlight it captures.

This is very useful for not having lights on at times of the day when there is still enough natural light.

Presence sensor

Thanks to the presence sensor, the lighting can be regulated according to the level of activity in the area where the luminaire is located.

The level of light rises as soon as a pedestrian or vehicle is detected in the area. This generates great savings since the luminaire only works at 100% of its capacity in cases where the sensor detects movement and does not affect the comfort and safety of users.



The logo features a stylized letter 'C' composed of three overlapping, semi-transparent circles in shades of blue and purple. To the right of the 'C', the word 'LINE' is written in a clean, white, sans-serif font.

The logo consists of the word 'CARANDINI' in a bold, white, sans-serif font, enclosed within a white, stylized rectangular border with rounded corners and a slight shadow effect.

C Y G Carandini, S.A.U.

Anselm Clavé, 224
08186 Lliçà d'Amunt Barcelona, Spain
(+34) 93 3174 008

info@carandini.com carandini.com

C. & G. Carandini, S.A.U. reserves the right to modify its products without prior notice.

C. Y G. Carandini, S.A.U. 2022©